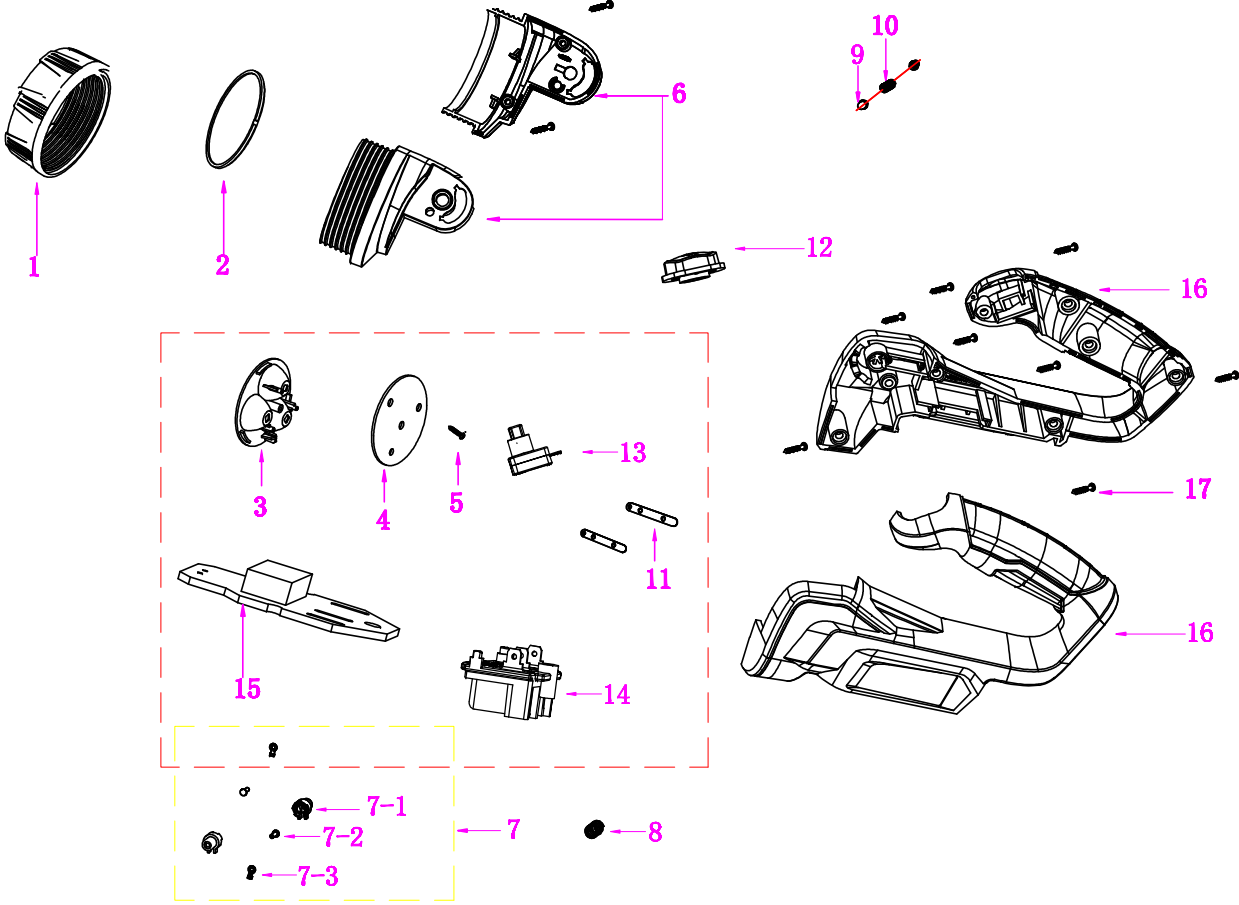


Explode Drawing of RDP-SCWL20 solo



SPARE PARTS of RDP-SCWL20

Item.	Description	QTY.
1.	Reflector retainer	1.
2.	Transparent cover	1.
3.	Reflector	1.
4.	LED&Aluminum plate	1.
5.	Tapping screw	1.
6.	Case head	1.
7-1.	Pivot terminal unit	2.
7-2.	Copper rivet	2.
7-3.	Connecting sheet	2.
8.	Spring	1.
9.	Knock shaft	2.
10.	Spring	1.
11.	Connecting sheet	2.
12.	Push button	1.
13.	Switch	1.
14.	Battery pack clip	1.
15.	PCB	1.
16.	Plastic case	1.
17.	Tapping screw	10.